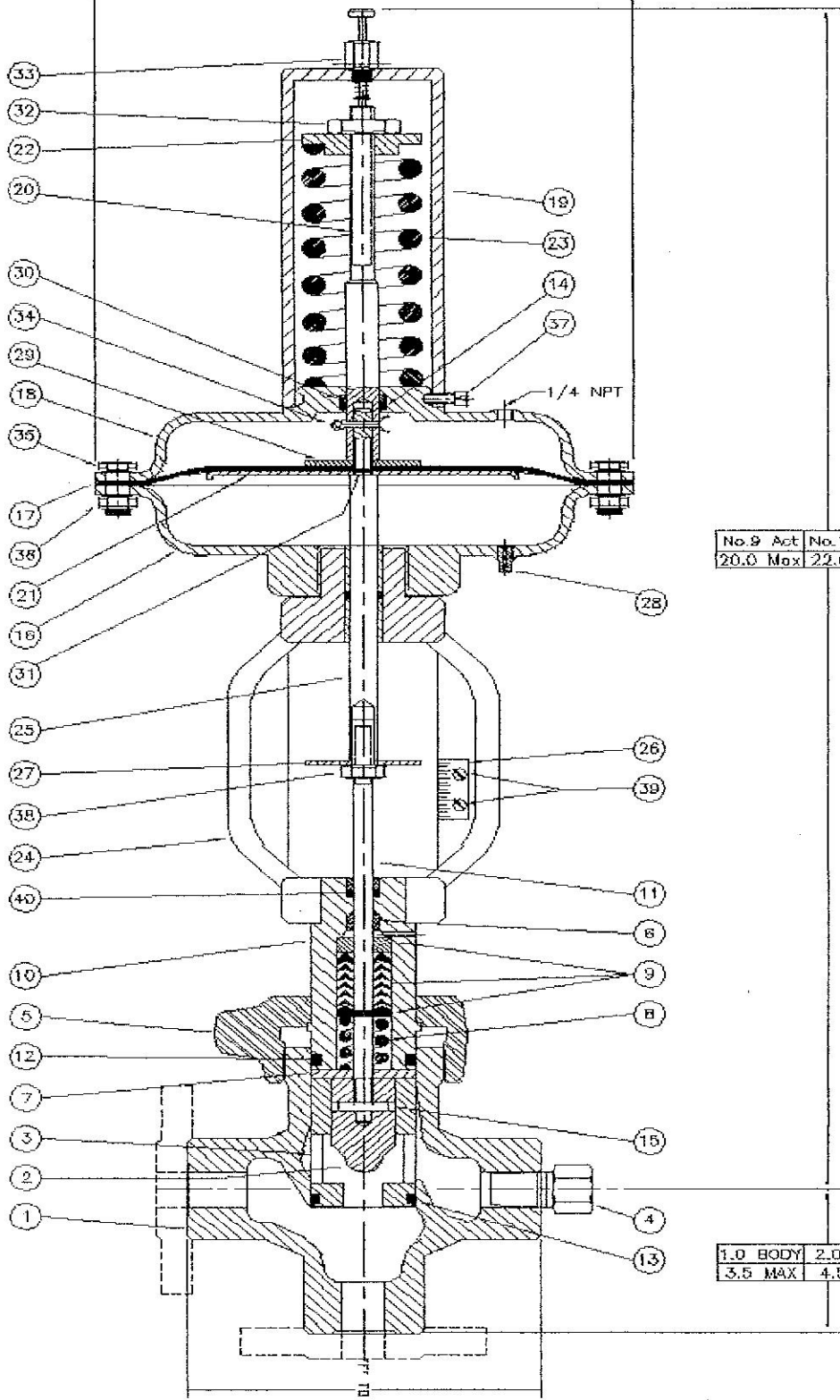


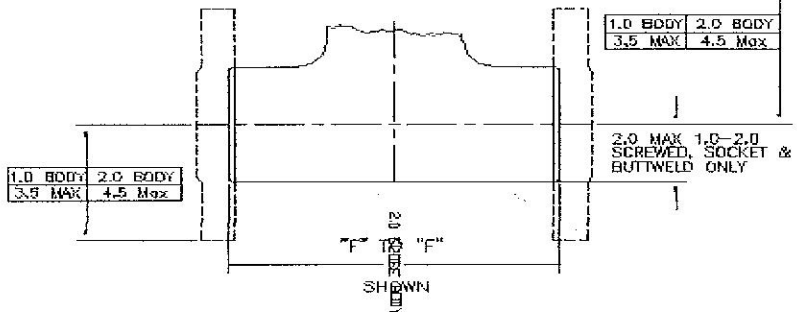
| | |
|----------|-----------|
| No.9 Act | No.12 Act |
| 9.5 DIA. | 12.5 DIA. |



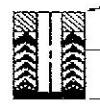
| | |
|----------|-------|
| No.9 Act | No.12 |
| 20.0 Max | 22.0 |

| | |
|----------|-------|
| 1.0 BODY | 2.0 B |
| 3.5 MAX | 4.5 |

1.0 ANGLE BODY SHOWN



ITEM 9



BODY - VALVE

| ITEM NO. | COMM. CODE | MATERIAL | VALVE PART DESCRIPTION F TO G | | QTY | |
|----------------------|-------------------------------|---------------------------|--------------------------------|---------------------------|--------------------------------|-----|
| 1 | 490222A100 | ASTM A216 | 1" ANGLE/TEE NPT 3600 PSI 3.12 | | 1 | |
| | 490222A128 | | 2" ANGLE NPT 3600 PSI 3.75 | | | |
| | VALVE PART DESCRIPTION F TO F | | | | | |
| | 490222A222 | ASTM A216 | 1" GLOBE NPT 3600 PSI | | 6.25 | |
| | 490222A101 | ASTM A216 | 2" GLOBE NPT 3600 PSI | | 7.50 | |
| | 490222A215 | AZ16/A105 | 2" GLOBE Flanged 150 RF | | 10.06 | |
| | 490222A225 | A216/A105 | 2" GLOBE Flanged 300 RF | | 10.50 | |
| 490222A226 | A216/A105 | 2" GLOBE Flanged 600 RF | | 11.25 | | |
| 490222A260 | A216/A105 | 2" GLOBE Flanged 600 RTJ | | 11.38 | | |
| 490222A260 | A216/A105 | 2" GLOBE Flanged 1500 RTJ | | 13.00 | | |
| ITEM NO. | COMM. CODE | MATERIAL | COMM. CODE | MATERIAL | VALVE PART DESCRIPTION | QTY |
| #2 | 490222A090 | 17-4PH SST | 490222A085 | 17-4PH SST | PLUG Valve 0.25 Orif | 1 |
| | 490222A091 | 17-4PH SST | 490222A096 | 17-4PH SST | PLUG Valve 0.38 Orif | |
| | 490222A092 | 17-4PH SST | 490222A097 | 17-4PH SST | PLUG Valve 0.50 Orif | |
| | 490222A093 | 17-4PH SST | 490222A098 | 17-4PH SST | PLUG Valve 0.75 Orif | |
| | 490222A094 | 17-4PH SST | 490222A099 | 17-4PH SST | PLUG Valve 1.00 Orif | |
| | 490222A140 | CARB/SST | | | | |
| 3 | 490222A095 | 17-4PH SST | | 17-4PH SST | SEAT/CAGE Valve 0.25 Orif | 1 |
| | 490222A096 | 17-4PH SST | | 17-4PH SST | SEAT/CAGE Valve 0.38 Orif | |
| | 490222A097 | 17-4PH SST | | 17-4PH SST | SEAT/CAGE Valve 0.50 Orif | |
| | 490222A098 | 17-4PH SST | | 17-4PH SST | SEAT/CAGE Valve 0.75 Orif | |
| | 490222A099 | 17-4PH SST | | 17-4PH SST | SEAT/CAGE Valve 1.00 Orif | |
| | COMM. CODE | MATERIAL | COMM. CODE | MATERIAL | VALVE PART DESCRIPTION | |
| | | | 490222A161 | CARB/SST | SEAT/CAGE Valve 0.25 Orif | 1 |
| | | 490222A158 | CARB/SST | SEAT/CAGE Valve 0.38 Orif | | |
| | | 490222A162 | CARB/SST | SEAT/CAGE Valve 0.50 Orif | | |
| | | 490222A141 | CARB/SST | SEAT/CAGE Valve 0.75 Orif | | |
| 3A | 490222A167 | | 1" O.O. CARBIDE TRIM KIT | | 1 | |
| ITEM NO. | COMM. CODE | MATERIAL | VALVE PART DESCRIPTION | | QTY | |
| 4 | 490222A146 | A696 CSTL | PLUG 1.00 NPT (Tee Body Only) | | 1 | |
| 5 | 490222A110 | 1D40 CSTL | NUT HAMMER | | 1 | |
| 6 | 490222A164 | TEFLON | BUSHING Guide | | 1 | |
| 7 | 490222A215 | 316 SST | WASHER Packing | | 1 | |
| 8 | 490222A109 | INCONEL | SPRING Packing Inconel | | 1 | |
| *9 | A1 | 490222A165 | KIT Packing Includes + Opt | | 1 | |
| | A2 | 490222A113 | + RETAINER Upper | | 1 | |
| | A3 | 490222A112 | + PACKING | | 1 | |
| | | 490222A180 | + RETAINER LOWER | | 1 | |
| 10 | 490222A114 | A696 | PLUG Packing | | 1 | |
| 11 | 490222A115 | 316 SST | STEM Valve | | 1 | |
| *12 | 490222A130 | VITON | O-RING Plug Packing | | 1 | |
| *13 | 490222A129 | VITON | O-RING Seat | | 1 | |
| *14 | 490222A143 | BUNA-N | O-RING Stem Valve | | 1 | |
| 15 | 490222A219 | 316 SST | PIN Roll 0.12 X D.BB Nace | | 1 | |
| | No. ACT | MATERIAL | No.12 NET | MATERIAL | ACTUATOR PARTS DESCRIPTION | QTY |
| 16 | 490222A145 | CSTL | 490222A147 | CSTL | HOUSING DIAPHRAGM LOWER | 1 |
| *17 | 490222A128 | NEO/NYLON | 490222A127 | NEO/NYLON | DIAPHRAGM ACTUATOR (VITON OPT) | 1 |
| 18 | 490222A144 | CSTL | --- | CSTL | HOUSING DIAPHRAGM UPPER Dir | 1 |
| 19 | 490222A150 | CSTL | 490222A151 | CSTL | COVER Spring | 1 |
| 20 | 490222A154 | 303 SST | 490222A155 | 303 SST | STEM Actuator Upper | 1 |
| 21 | 490222A118 | CSTL | 490222A160 | CSTL | PLATE DIAPHRAGM | 1 |
| 22 | 490222A154 | CSTL | 490222A188 | CSTL | RETAINER SPRING UPPER 3-15 | 1 |
| 23 | 490222A117 | CSTL | 490222A188 | CSTL | SPRING ACTUATOR 3-15 | 1 |
| ACTUATOR PART COMMON | | | | | | |
| 24 | 490222A196 | ASTMA216 | YOKE Actuator | | 1 | |
| 25 | 490222A195 | 303 SST | STEM Actuator Lower | | 1 | |
| 26 | 490222A214 | 303 SST | SCALE Indicator | | 1 | |
| 27 | 490222A197 | 303 SST | INDICATOR Travel | | 1 | |
| 28 | 490222A120 | 303 SST | PLUG Breather | | 1 | |
| 29 | 490222A121 | CSTL | WASHER Bearing | | 2 | |
| *30 | 490222A144 | TEFLON | RING Back-up | | 1 | |
| *31 | 490222A133 | BUNA-N | O-RING Diaphragm | | 1 | |
| | 490222A142 | VITON | O-RING Diaphragm Dpt | | 1 | |
| 32 | 490222A156 | Gr. 5 | NUT Hex Reg 1/2-20 | | 1 | |
| 33 | 490222A123 | 303 SST | INDICATOR/VENT | | 1 | |
| 34 | 490222A157 | 303 SST | PIN Cotter 0.13 X 1.00 | | 1 | |
| 35 | 490222A163 | Gr. 5 | SCREW Cap Hex 3/8-16 X 1.00 | | 12 | |
| 36 | 490222A162 | Gr. 5 | NUT Hex Reg 3/8-16 | | 12 | |
| 37 | 490323A211 | Gr. 5 | SCREW Set 1/4-20 X 0.50 | | 2 | |
| 38 | 490222A118 | Gr. 5 | NUT Hex Jam 3/8-24 | | 1 | |
| 39 | 490222A213 | 18-8 SST | SCREW Machine Pan 4-40 x 0.31 | | 2 | |
| 40 | 490222A132 | VITON | O-RING Stem Valve | | 1 | |

* Recommended Spare Parts

‡ OPTIONAL 316 NACE